

## Antenna ANTM03/3

### Ordering data

Designation	Type	Item no.
Antenna	ANTM03/3	133 812 03 03 AX
Replacement antenna rod		133 981 03 03



- Shortened  $\lambda/4$ -antenna
- Frequency range 20 MHz to 50 MHz
- Type of protection: I M 1 Ex ia I Ma

### Application

The antenna ANTM03/3 is a shortened  $\lambda/4$  antenna with extension coil. It is installed in a stainless steel housing. A replaceable rod antenna is screw-mounted onto an M8 threaded bolt on the housing.

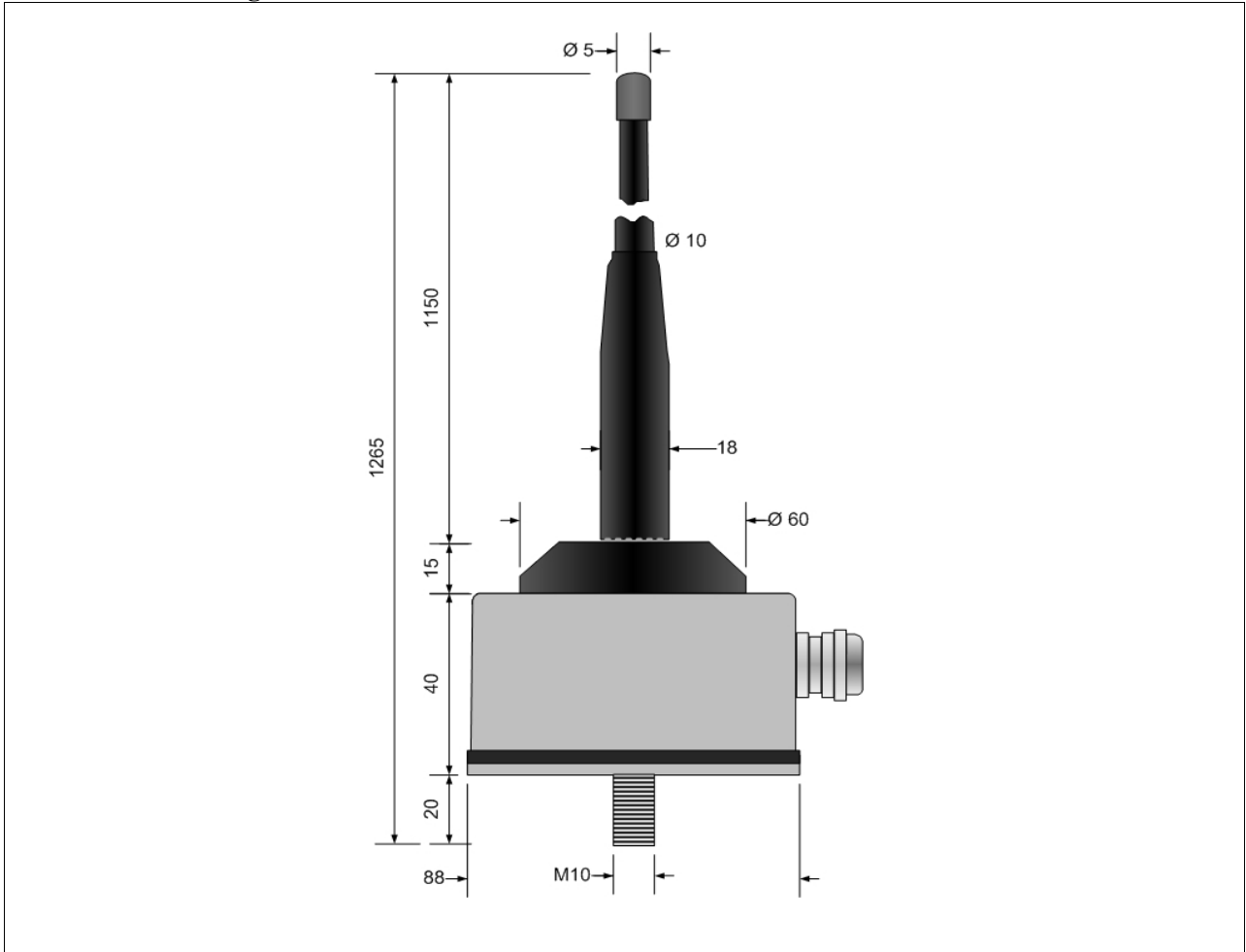
The replaceable rod antenna (replacement antenna rod) consists of a GFRP rod with copper inner conductor, which is firmly fixed with a brass mount.

The coaxial connecting cable KK02 to link the antenna with a radio station enters the housing through a M16x1.5 cable gland.

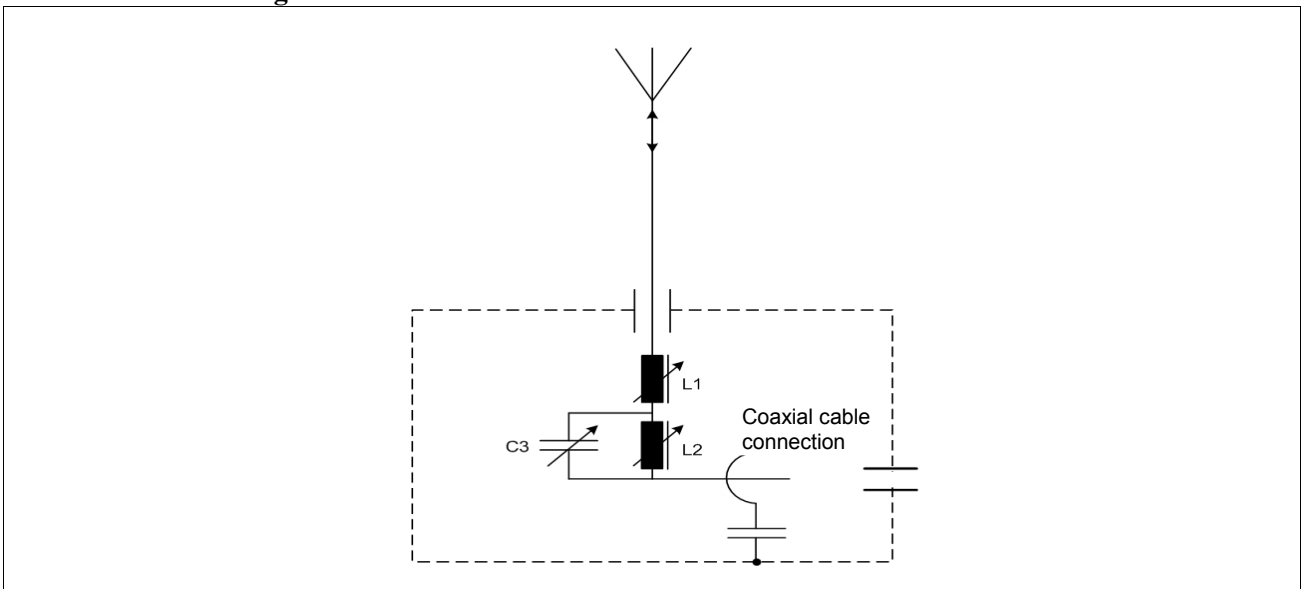
The bottom side of the antenna housing is closed with a cover plate which is fastened with 4 countersunk screws. A fastening bolt on the cover is used to fix the antenna e.g. by means of the supplied mounting bracket, and at the same provides the required earthing connection.

The pcb in the housing interior is equipped with the connection for the coaxial cable and an adaptation network which ensures the required antenna adaptation within the transmission and reception band.

**Dimensional drawing of antenna ANTM03/3**



**ANTM03/3 block diagram**



FHF Bergbautechnik GmbH & Co. KG  
 Eintrachtstr. 95  
 42551 Velbert



Tel: +49 (0) 2051 270 – 0  
 Fax: +49 (0) 2051 270-366  
 Email: [info@fhf-bt.de](mailto:info@fhf-bt.de)  
[www.fhf-bt.de](http://www.fhf-bt.de)