

Loudspeaker iLA3/..

Order information

Designation	Type	Part no. [Code No.]
Loudspeaker 4Ω	iLA3/4	123 620 01 AX [8108A010]
Loudspeaker 8Ω	iLA3/8	123 620 02 AX [8108A020]
Loudspeaker 16Ω	iLA3/16	123 620 03 AX [8108A030]
Loudspeaker 60Ω	iLA3/60	123 620 04 AX [8108A040]
Loudspeaker 16Ω, housing base with microphone connection socket (2 m cord)	iLA3/16	123 620 05 AX [8108A031(9)]
Loudspeaker 16Ω, housing base with microphone connection socket (15 m cord)	iLA3/16	123 620 06 AX [8108A032(9)]
Loudspeaker - housing base with microphone connection socket (2 m cord), spare part		133 990 11 [8108A900]
Loudspeaker- housing base with microphone connection socket (15 m cord), spare part		133 990 11 01 [8108A910]
Loudspeaker – housing base without microphone connection socket (2 m cord), spare part		133 990 12 [8108A920(9)]



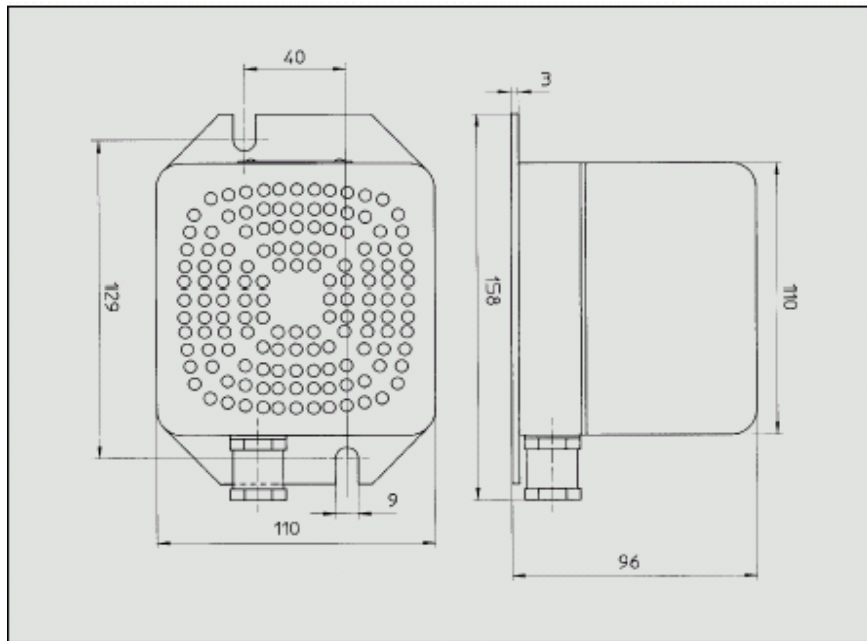
- **Rugged and compact**
- **High volume at low energy consumption**
- **Good syllable comprehensibility**
- **I M 1 EEx ia I**

Usage / Construction

The loudspeaker iLA3/.. is designed in specially small and rugged form for application in potentially explosive environment. The high efficiency of the loudspeaker's pressure chamber system transforms the limited energy of intrinsically safe circuits into a high sound pressure level and thus permits a good communication, even in noisy environments.

The loudspeaker is located under a deep-drawn sheet-steel cover, which is fixed onto a short piece of square tube, serving as housing base. The housing base is sealed with a weld-on sheet-steel plate carrying two protruding fastening straps at two sides of the plate. The electrical connections have to be made to terminals which are placed in the housing base.

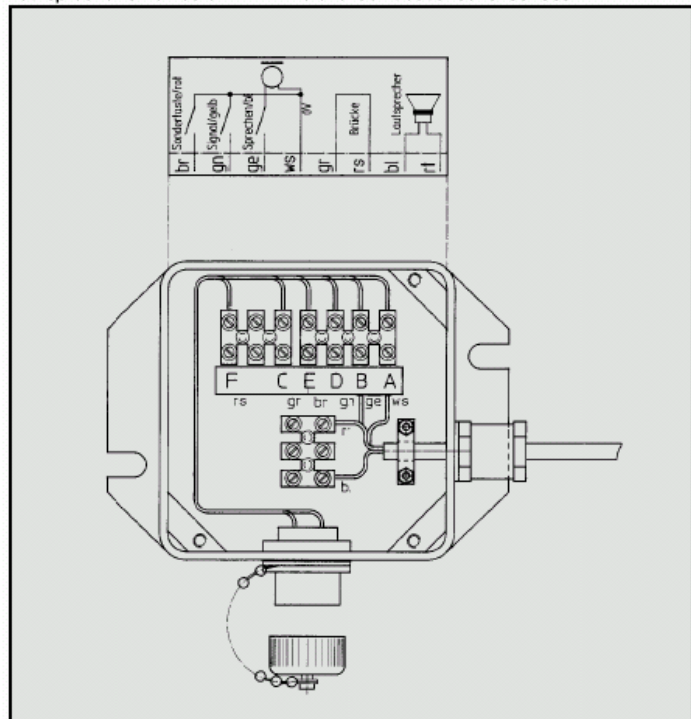
Dimensional drawing iLA3/..



Addendum: Loudspeaker iLA3/.., housing base with microphone connection socket

The loudspeaker iLA3/.. optionally can be equipped with a housing base with a built-in microphone connection socket. By use of this supplement the loudspeaker iLA3/.. and a microphone (MIK4/2) can be connected to a radio station via only one (multi-core) cable.

Lautsprecher-Unterkasten mit Mikrofonanschlußbuchse 8108A900



FHF Bergbautechnik GmbH & Co. KG
Eintrachtstr. 95
D-42551 Velbert



Tel: 0049 (0) 2051 270 - 0
Fax: 0049 (0) 2051 270-366
Mail: info@fhf-bt.de
URL : www.fhf-bt.de